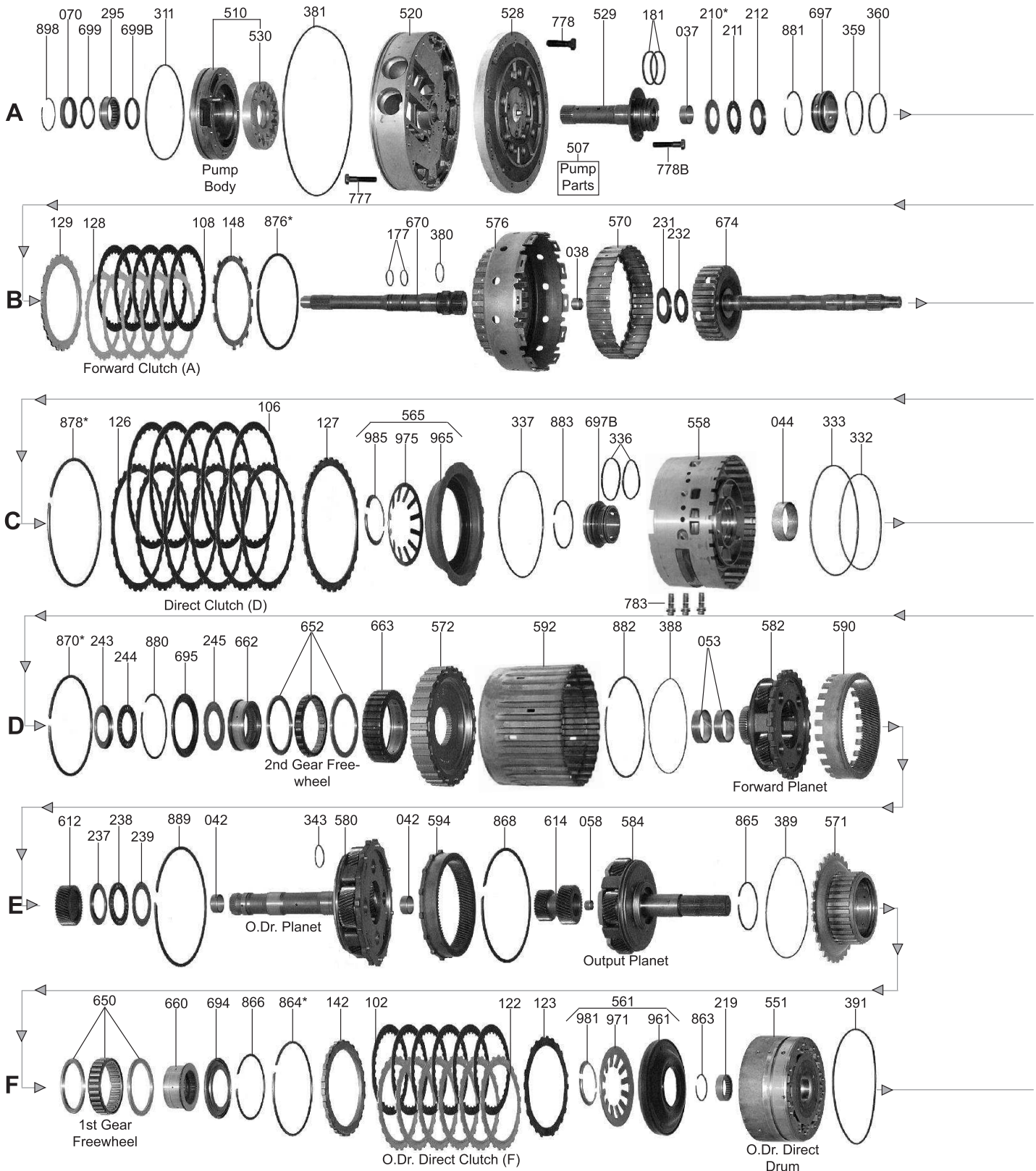


# ZF5HP30



RWD 5 Speed

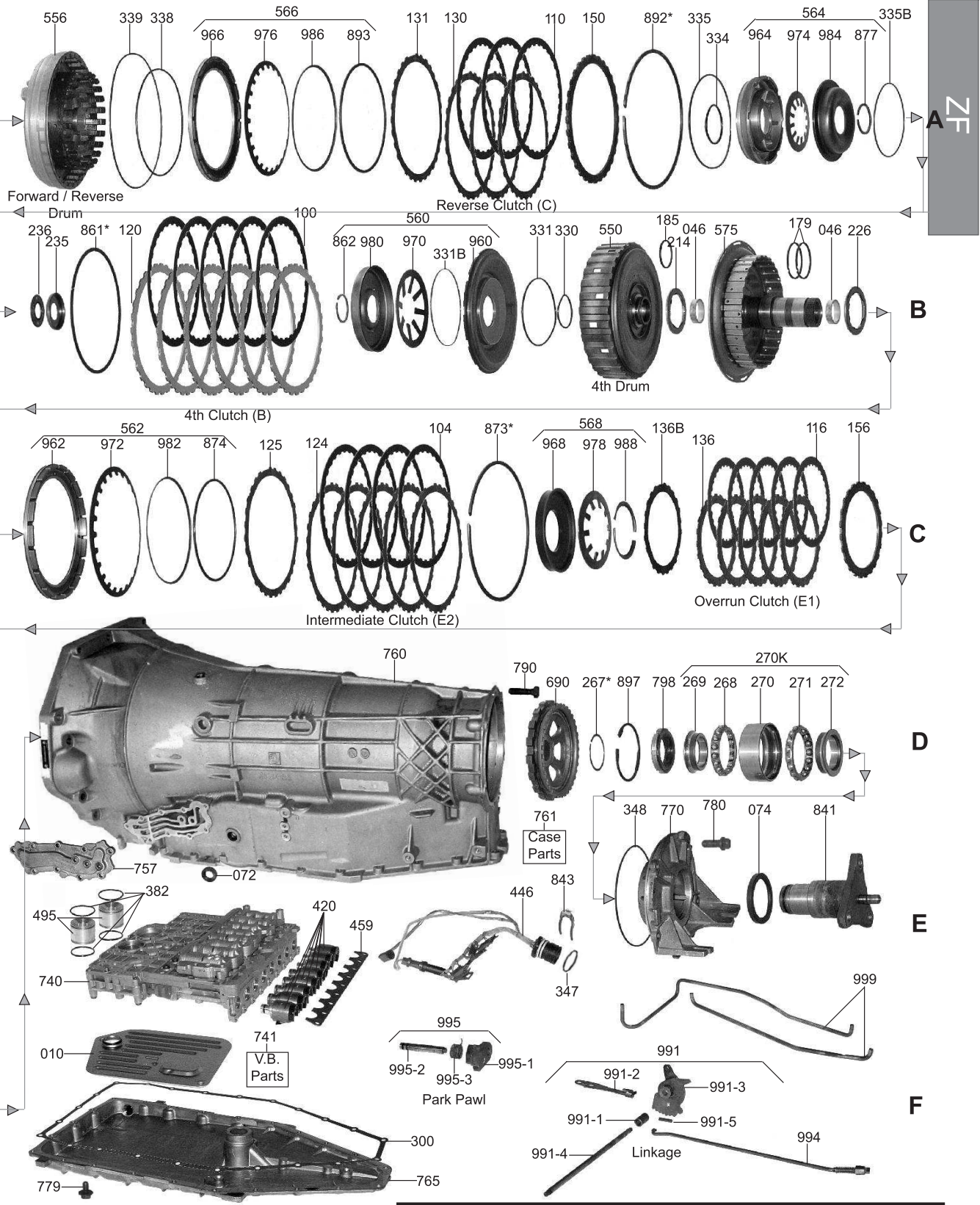
ZF



RWD 5 Speed



ZF5HP30





### Technical Bulletin #983

**Transmission:** ZF5HP30

**Subject:** Forward Bind and Reverse Slips

**Application:** 99-03 Aston Martin, 99-03 Bentley, 92-01  
BMW, 98-03 Rolls Royce

**Issue Date:** January, 2006

ZF

## ZF5HP30

### Forward Bind and Reverse Slips

The transmission binds in E mode first gear and then will free up on the 1-2 shift. With the winter mode button pressed so the snow flake is illuminated it will slip in reverse.

The rubber F check ball has become too small due to the normally high operating temperatures. Replace the F check ball in the bath tub with a 0.250" steel check ball. DO NOT use a rubber or plastic type ball.

#### 5 HP 30 Channel plate

